

DART BOARD



CONTENT

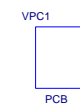
PAGE NO.	SCHEMATIC PAGE
1	Cover
2	Block Diagram
3	DART-4460
4	PERIPHERALS
5	DISPLAY, TOUCH
6	ETHERNET, USB, OTG
7	EXTENSION HEADERS
8	DVK Exp. Connectors
9	POWER, MECHANICS

Disclaimer:

Schematics are for reference only.
Variscite LTD provides no warranty for the use of
these schematics.
Schematics are subject to change without notice.

Revision History

Rev 1.0	Initial
Rev 1.0A	J6 rotated to follow DART pin-out DART connectors updated
Rev 1.1	Debug UART connection repaired Camera powerdown corrected to follow standard OMAP4 board OTG power supply added 3.3V main power supply resistor fixed LVDS added HDMI diode added RTC battery added
Rev 1.2	ESD Diodes removed J1 PWM disconnected from ground J1.43 Converted to 2.8V output J7 Connector PN change to fit standard power supplies J8 connector change Camera connector change
Rev 1.2A	J1.43, J1.57 Pin name changed J1.43 Note added J2.66 Pin name changed J2.65, J2.68 Note added J38, J3.34, J3.36, J3.38 Pin names changed

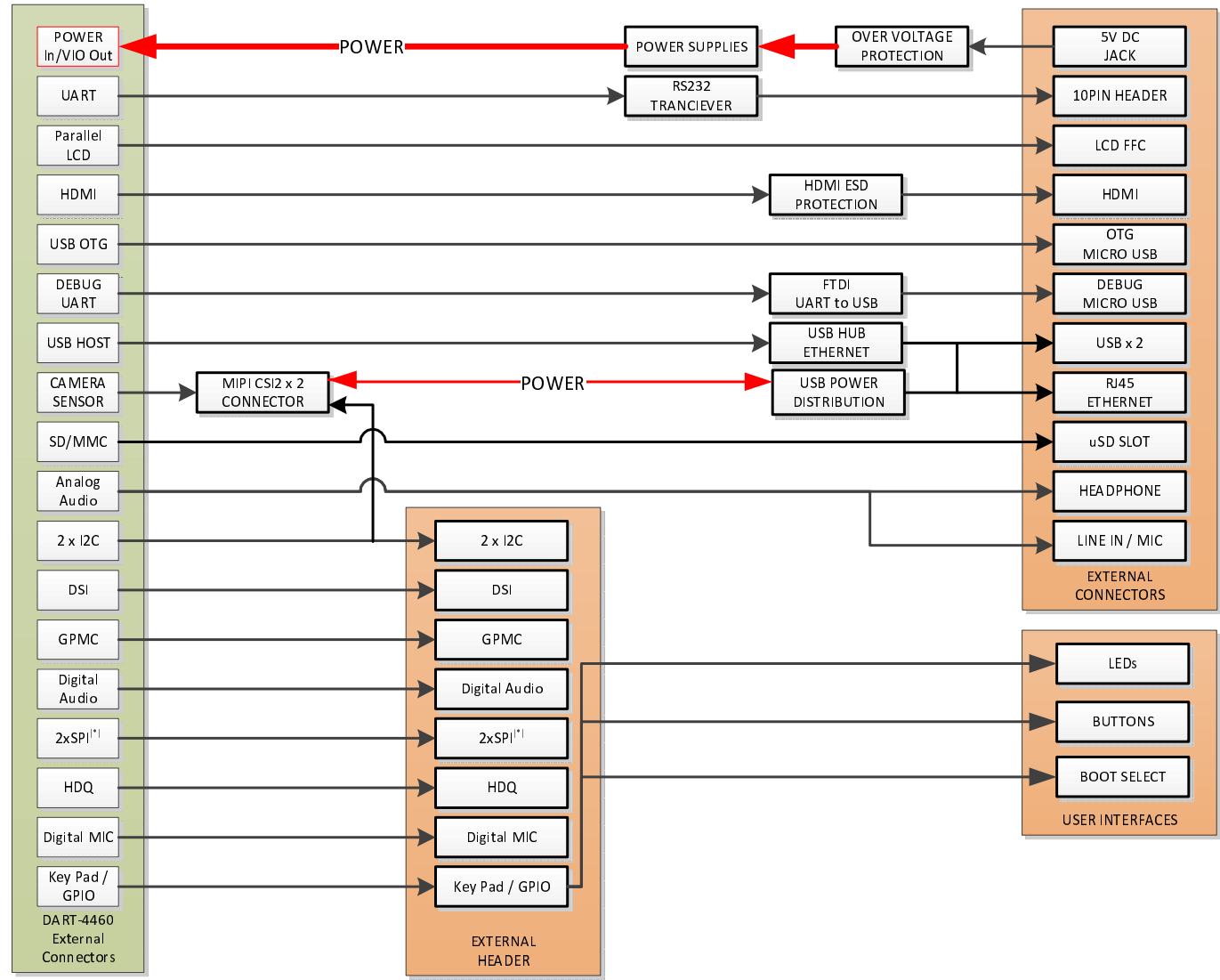


Title: 01. Cover

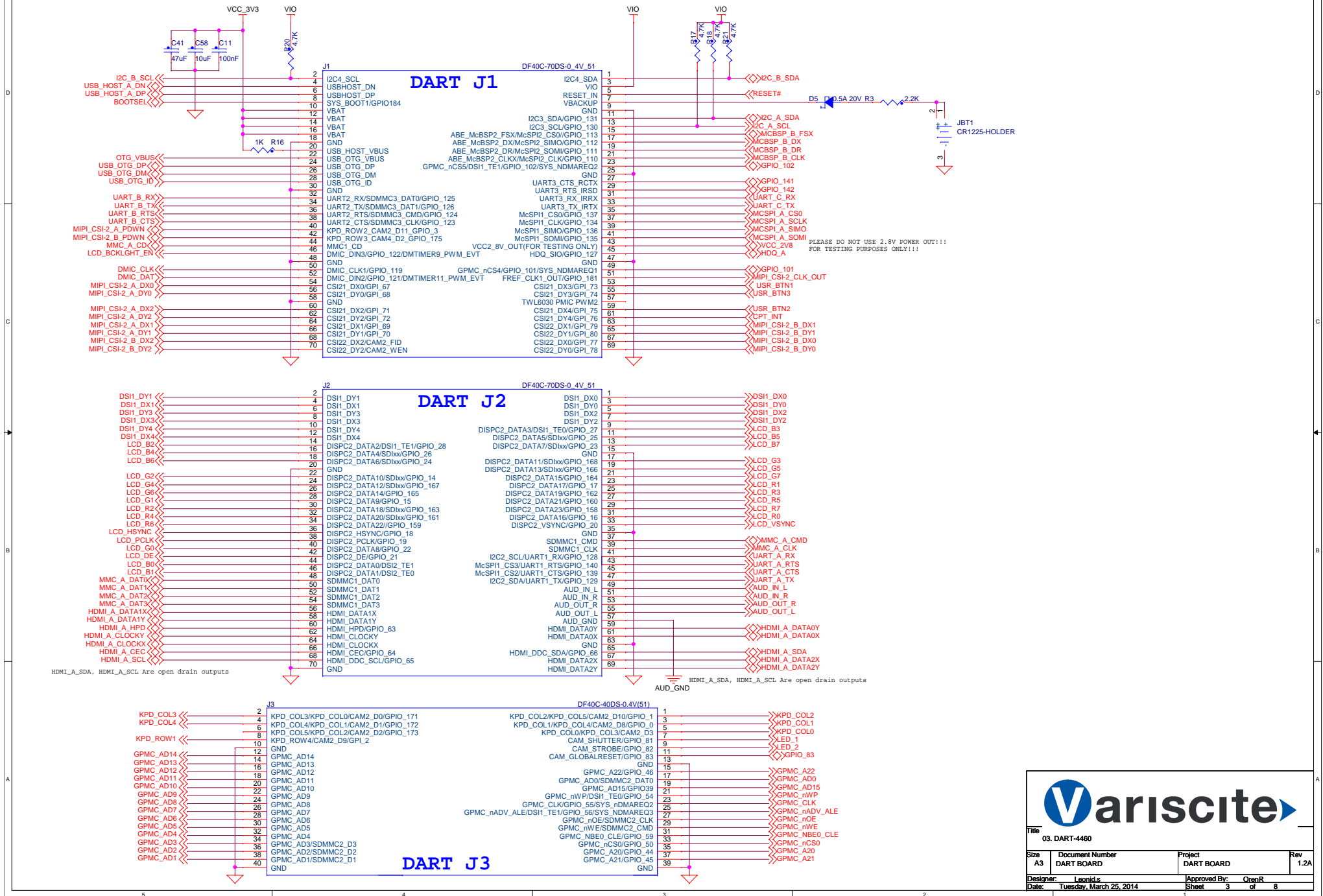
Size	Document Number	Project	Rev
A3	DART BOARD	DART BOARD	1.2A

Designer: Leonid's Approved By: OrenR
Date: Tuesday, March 25, 2014 Sheet 1 of 8

02 - Block Diagram



03. DART-4460



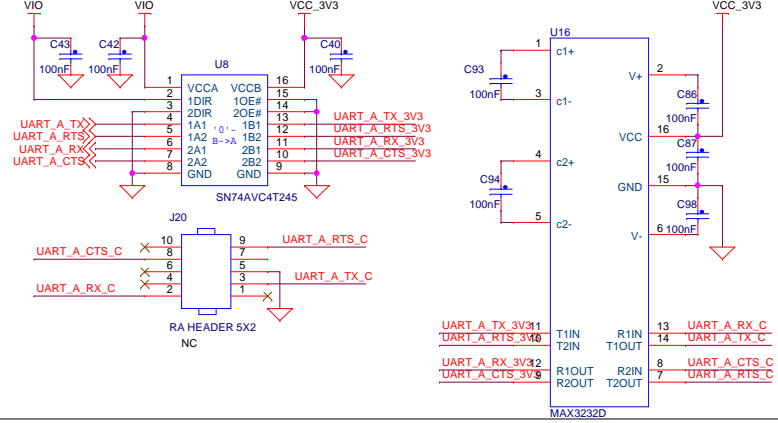
Variscite

Title: 03. DART-4460

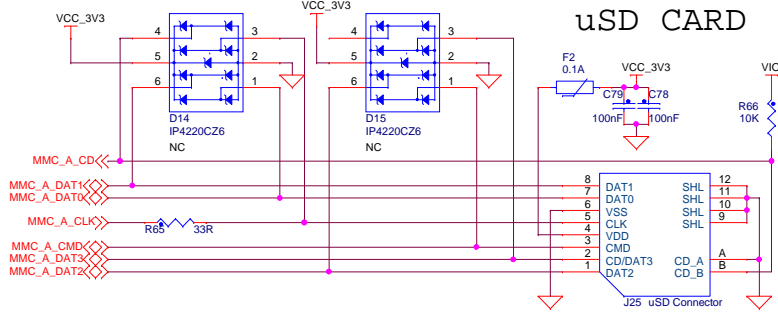
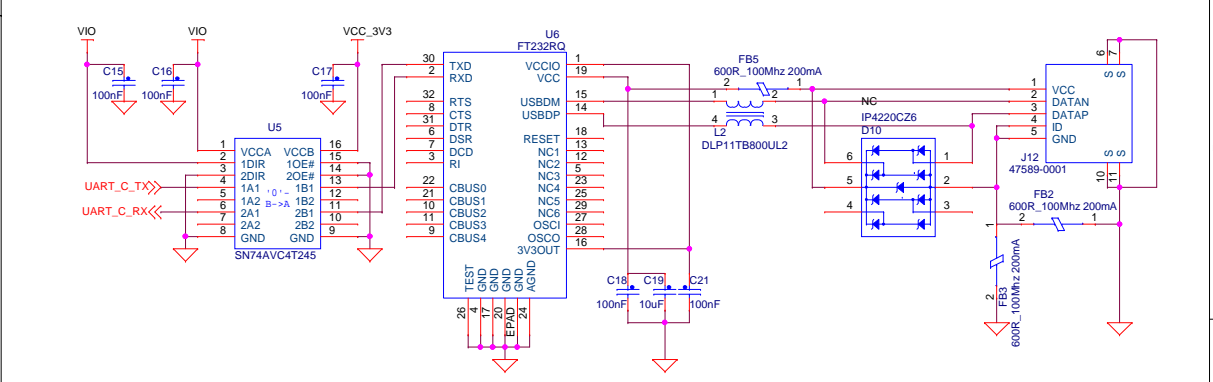
Size: A3	Document Number: DART BOARD	Project: DART BOARD	Rev: 1.2A
Designer: Leonid S	Date: Tuesday, March 25, 2014	Approved By: Oleg R	Sheet: 3 of 8

04. Peripherals

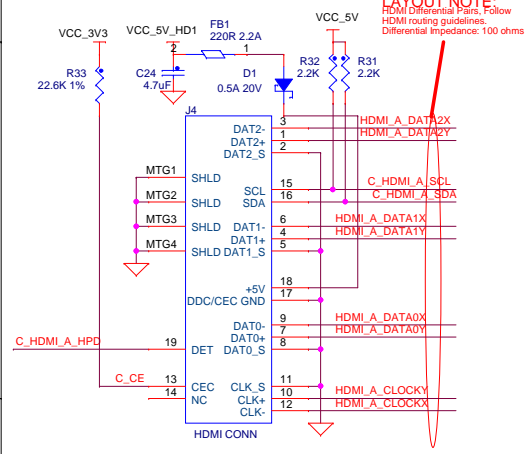
UART1 - DB9 - RS232



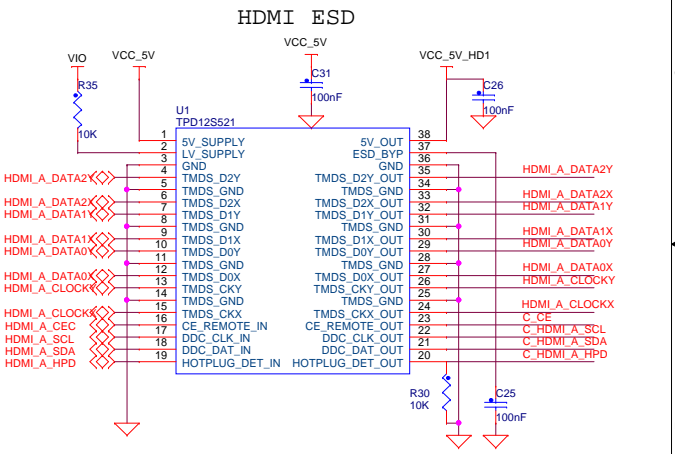
UART3 - RS232 Debug



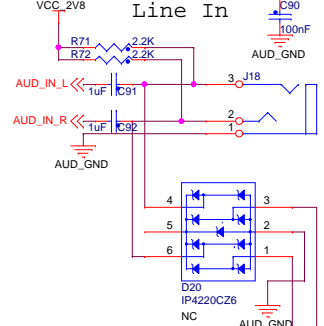
HDMI Connector



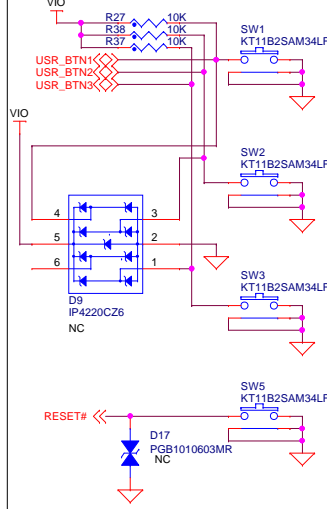
HDMI ESD



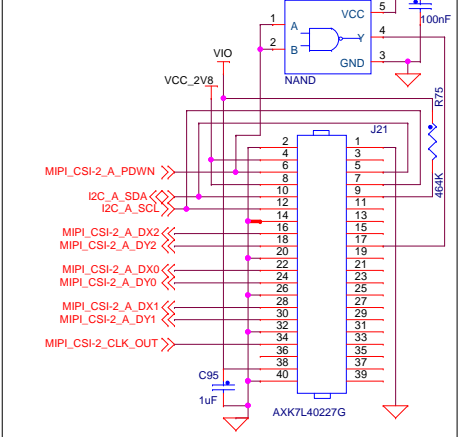
AUDIO Line In



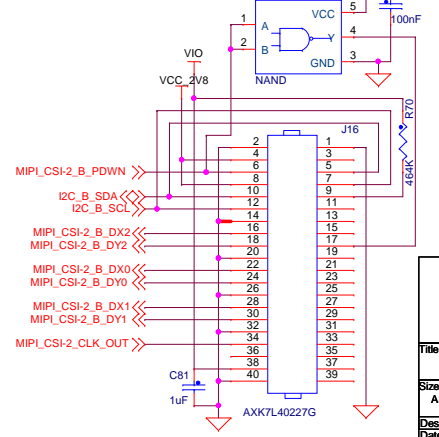
User button



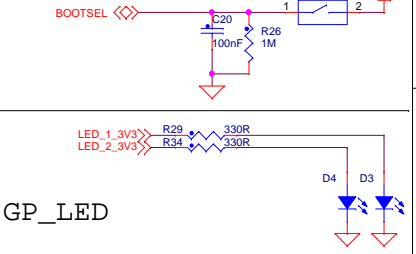
Main Camera



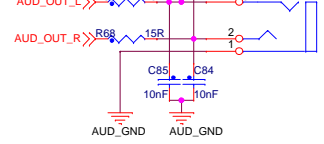
Back Camera



Sys-boot



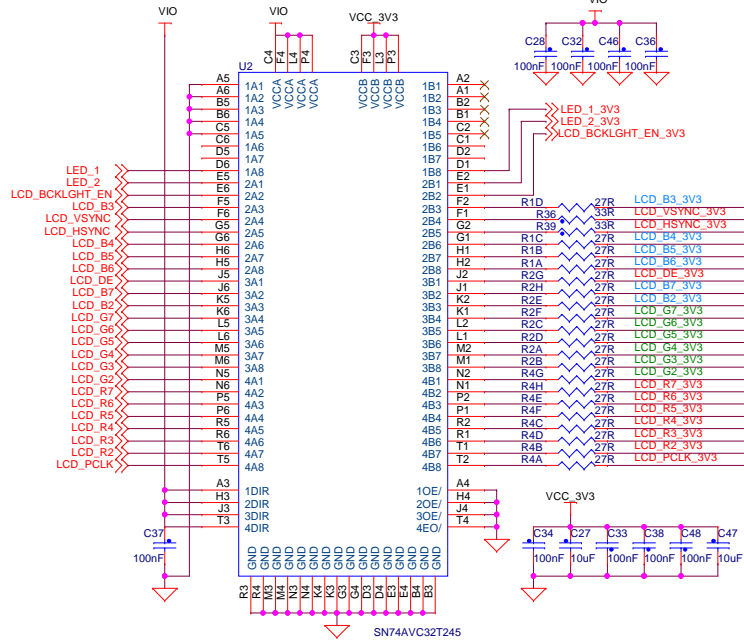
Headphone OUT



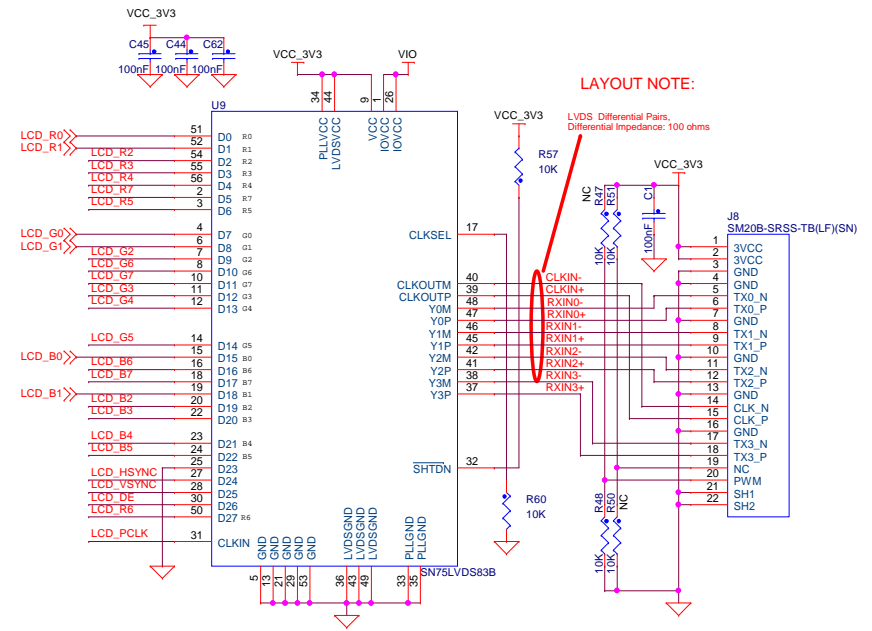
Variscite			
Title: 04. Peripherals			
Size: A3	Document Number: DART BOARD	Project: DART BOARD	Rev: 1.2A
Designer: Leonid S	Date: Tuesday, March 25, 2014	Approved By: Oleg R	Sheet: 4 of 8

05. Display ,Touch

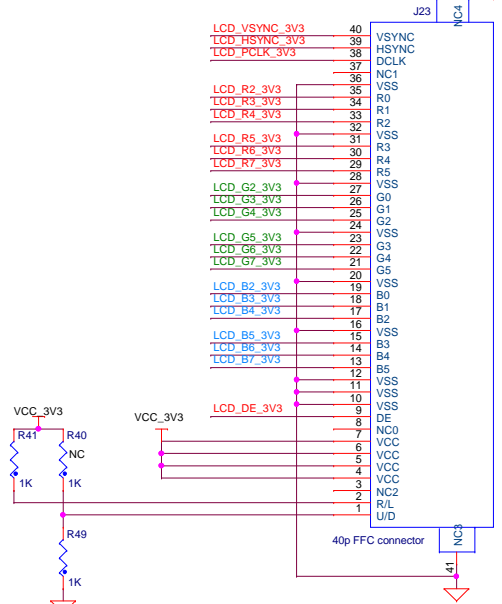
VIO --> 3.3V Level Translator



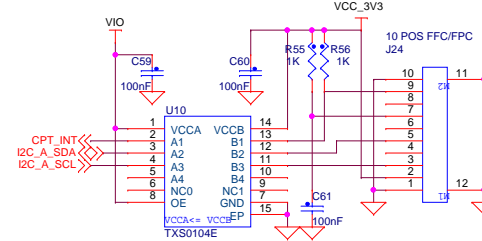
LVDS



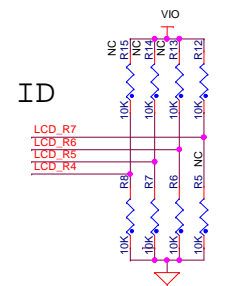
Capacitive LCD FFC Connector



Touch Panel



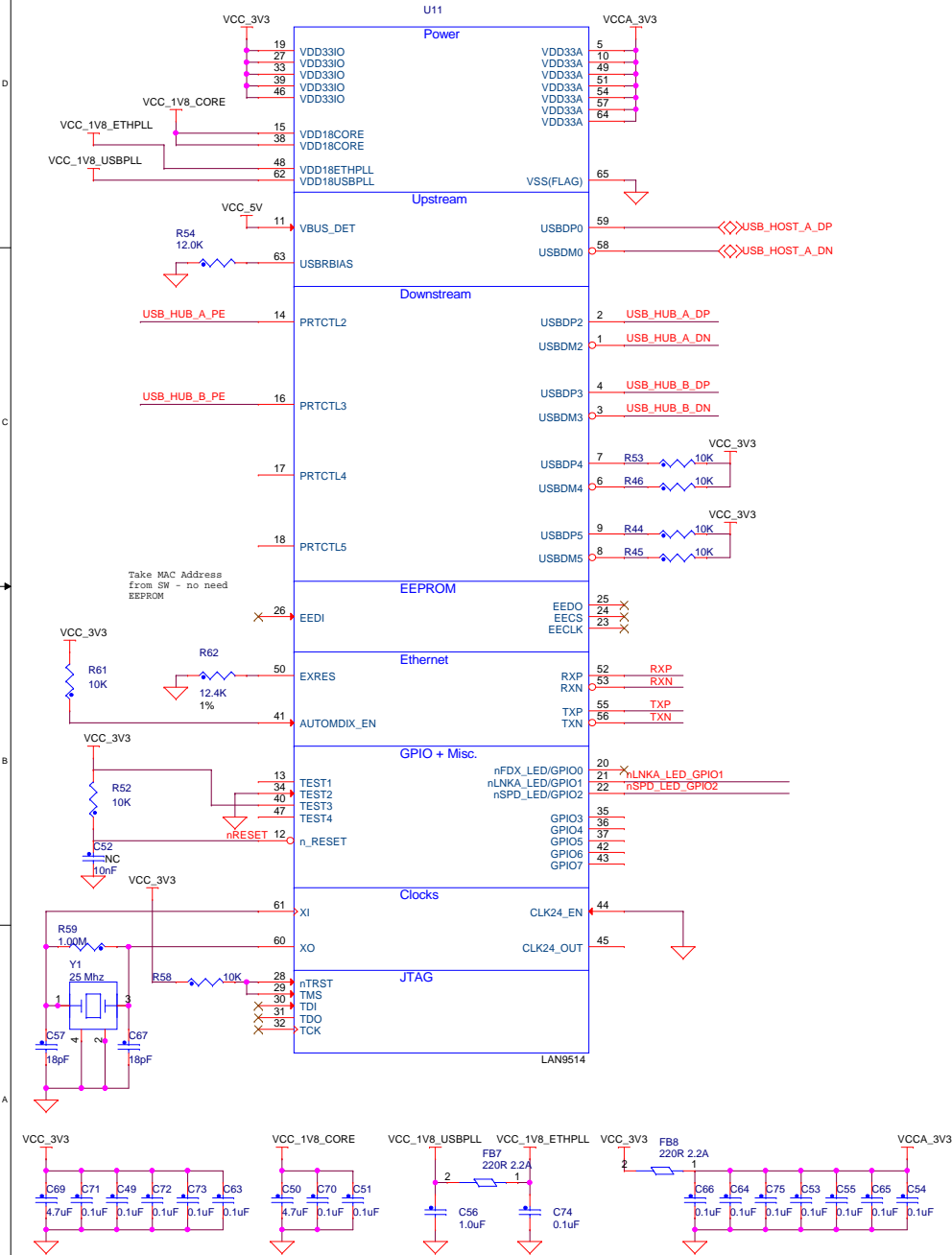
Board ID



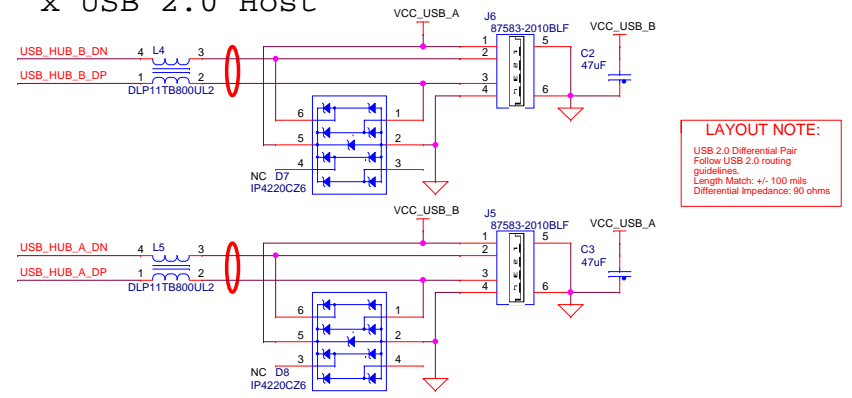
Variscite			
Title: 05. Display ,Touch			
Size: A3	Document Number: DART BOARD	Project: DART BOARD	Rev: 1.2A
Designer: Leonid S		Approved By: Oleg R	
Date: Tuesday, March 25, 2014		Sheet: 5	of: 8

06. Ethernet, USB, OTG

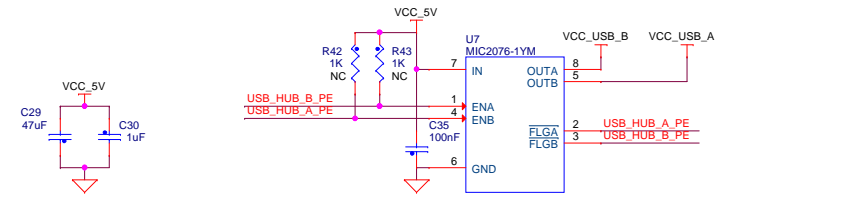
USB HUB + ETHERNET CTRL



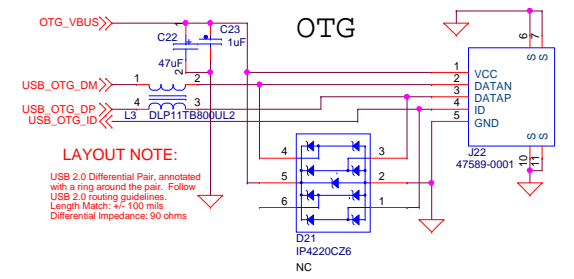
2 x USB 2.0 Host



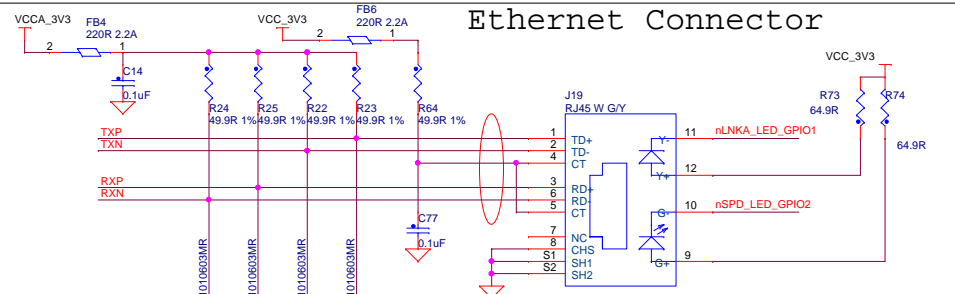
Power Distribution



OTG



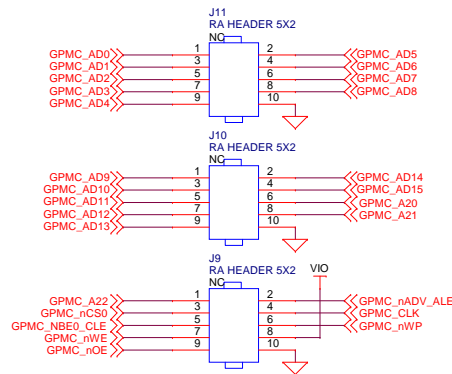
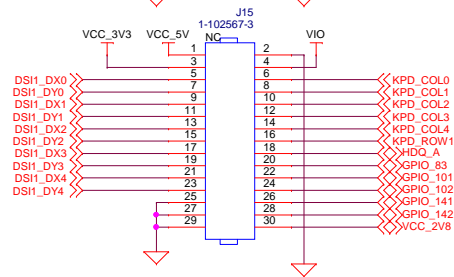
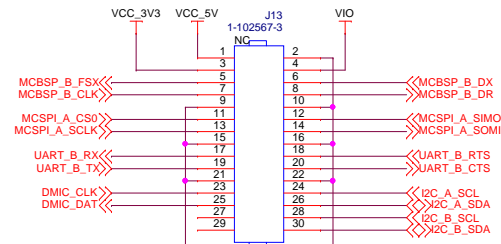
Ethernet Connector



Title: 06. Ethernet, USB, OTG

Size: A3	Document Number: DART BOARD	Project: DART BOARD	Rev: 1.2A
Designer: Leonid S.	Date: Tuesday, March 25, 2014	Approved By: Oleg R.	Sheet: 6 of 8

07. Extension Headers



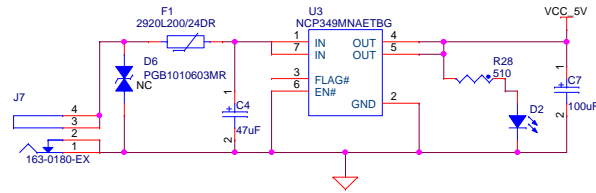
Variscite

Title: 07. Extension Headers

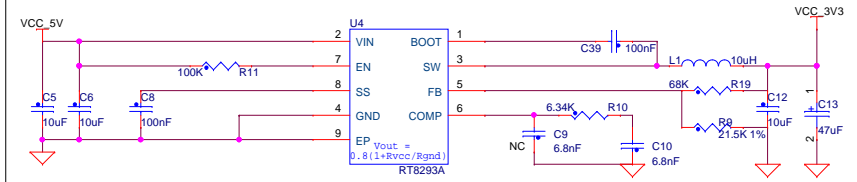
Size: A3	Document Number: DART BOARD	Project: DART BOARD	Rev: 1.2A
Designer: Leonid S	Approved By: Oleg R		
Date: Tuesday, March 25, 2014	Sheet: 7	of 8	

08. Power, Mechanics

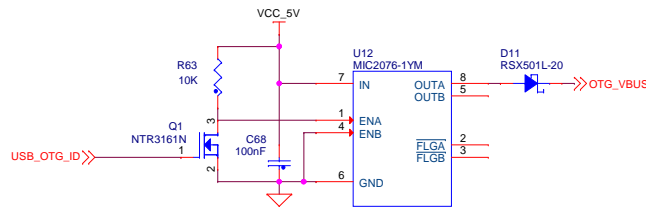
VCC-IN - 5V



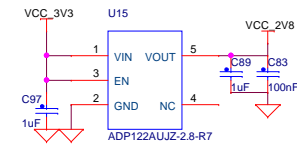
3.3V Digital 3A



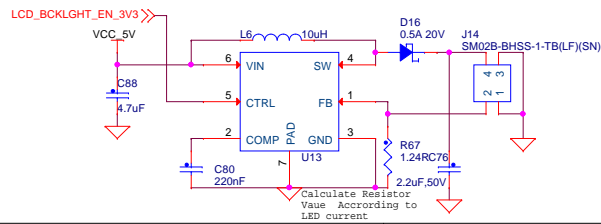
OTG Power Distribution



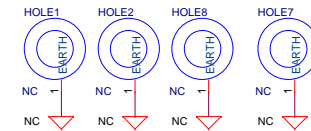
2.8V - Analog



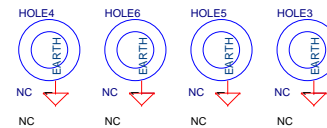
LCD Backlight



4 X Chassis Holes



4 X SOM Holes



08. Power, Mechanics

Size A3	Document Number DART BOARD	Project DART BOARD	Rev 1.2A
Designer: Leonid's	Date: Tuesday, March 25, 2014	Approved By: Oleg R	Sheet 8 of 8