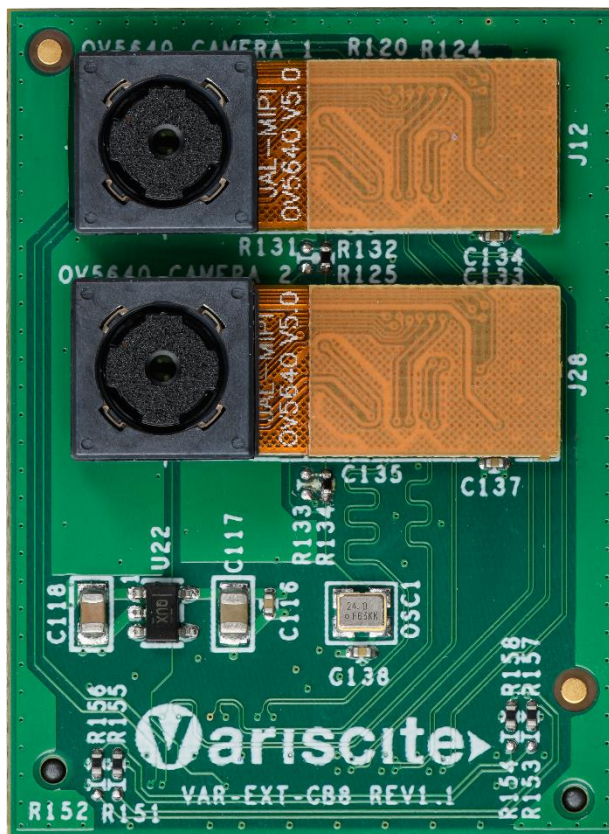




VARISCITE LTD

VCAM-5640S Datasheet

i.MX8 Serial Camera Extension Board V 1.x



© 2019 Variscite Ltd.

All Rights Reserved. No part of this document may be photocopied, reproduced, stored in a retrieval system, or transmitted, in any form or by any means whether, electronic, mechanical, or otherwise without the prior written permission of Variscite Ltd.

No warranty of accuracy is given concerning the contents of the information contained in this publication. To the extent permitted by law no liability (including liability to any person by reason of negligence) will be accepted by Variscite Ltd., its subsidiaries or employees for any direct or indirect loss or damage caused by omissions from or inaccuracies in this document.

Variscite Ltd. reserves the right to change details in this publication without notice. Product and company names herein may be the trademarks of their respective owners.

Variscite Ltd.
4, Hamelacha Street
Lod
P.O.B 1121
Airport City, 70100
ISRAEL

Tel: +972 (9) 9562910
Fax: +972 (9) 9589477

Revision History

Revision	Date	Notes
1.00	APR 17 2018	Preliminary
1.01	JUL 26 2018	Official Release
1.02	NOV 18 2018	Fix Revision History numbers. 1.1 – modify OV5645 to OV5640 1.1.2 – Remove TBD from Linux support
1.03	JUL 09 2019	Board name changed to VCAM-5460S

Table of Contents

Revision History.....	3
Table of Contents	4
List of Tables	5
1 Overview	6
1.1 General Information	6
1.1.1 VCAM-5640S Features:.....	6
1.1.2 Supporting Variscite Carrier Boards	6
1.1.3 Compatible Variscite SOM.....	6
1.1.4 Supporting O.S	6
1.1.5 Additional information	6
1.2 VCAM-5640S features summary.....	7
1.3 Block Diagram.....	8
1.4 Board Layout.....	9
1.5 VCAM-5640S connectors.....	10
2 Detailed Description	11
2.1 Overview	11
2.2 VCAM-5640S Interfaces	12
2.2.1 Camera Board PCB connector	12
2.2.2 OV5640 V5.0 5 Mega Pixel camera module connector	15
3 Environmental specifications	17
4 Legal notice	18
5 Warranty terms.....	19
6 Contact information	20

List of Tables

<i>Table 1-1 VCAM-5640S connectors</i>	10
<i>Table 2-1: Acronyms used on tables column header</i>	11
<i>Table 2-2: Mating Edge connector pin out (J23)</i>	12
<i>Table 2-3: Camera Module mating connector pin out (J1) (J2)</i>	15
<i>Table 3-1: Environmental Specification</i>	17

1 Overview

This chapter gives an overview of the VCM-5640S.

1.1 General Information

The VCAM-5640S is a serial camera extension board for various Variscite carrier boards. It allows evaluation and easy integration between up to two OV5640 camera modules and several Variscite SOMs.

1.1.1 VCAM-5640S Features:

- 2 x 5 Mega Pixel Camera module, based on OV5640 sensor.

1.1.2 Supporting Variscite Carrier Boards

- VAR-DT8MCustomBoard
- SPEAR-MX8CustomBoard
- Concerto-Board
- Symphony-Board

1.1.3 Compatible Variscite SOM

- DART-MX8M
- DART-MX8M-MINI
- SPEAR-MX8
- VAR-SOM-MX6
- VAR-SOM-SOLO/DUAL
- VAR-SOM-MX8
- VAR-SOM-MX8X
- VAR-SOM-MX8M-MINI

1.1.4 Supporting O.S

- Android
- Linux

1.1.5 Additional information

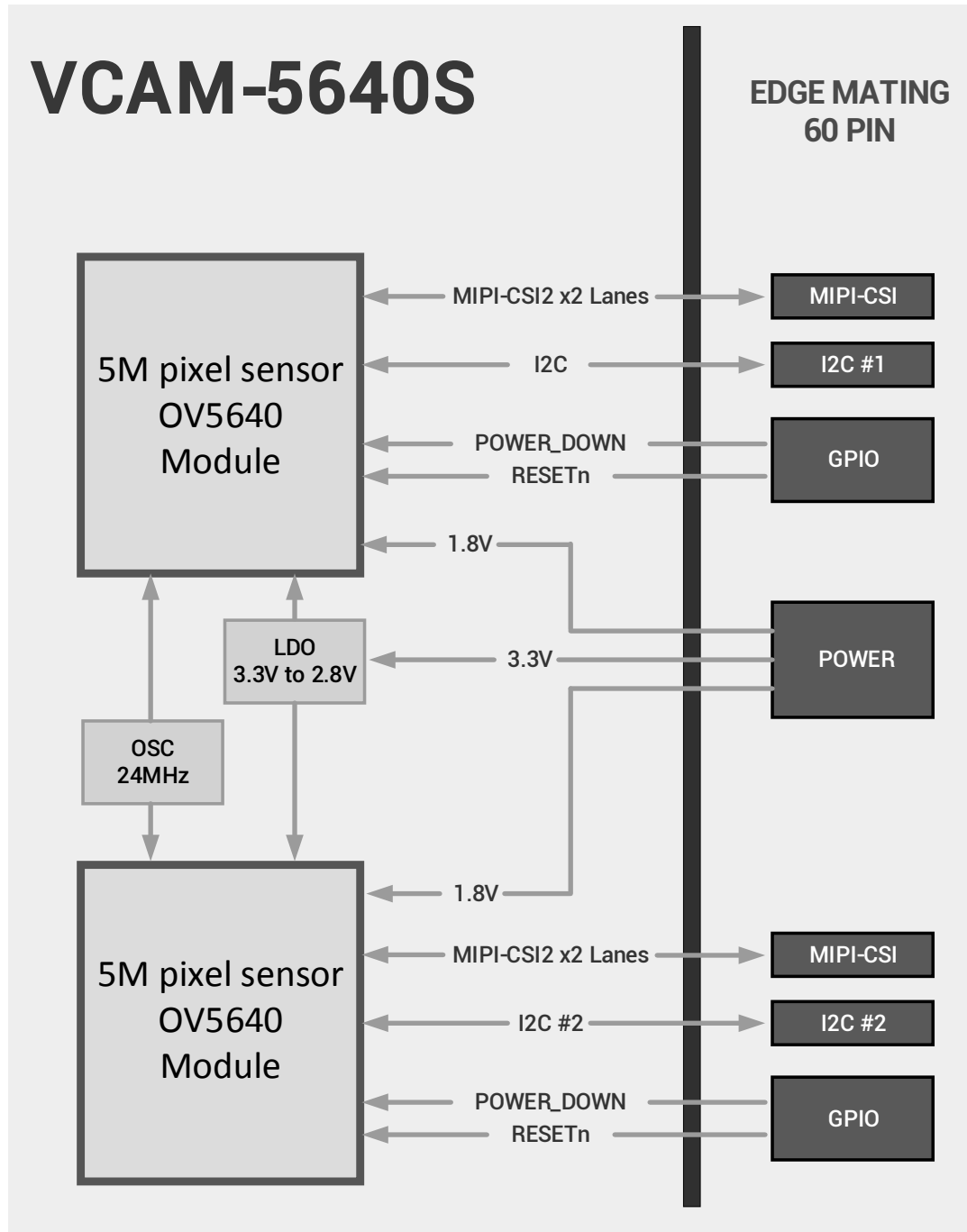
Board schematics is available to download at www.variscite.com,

For further information contact Variscite support at support@variscite.com.

1.2 VCAM-5640S features summary

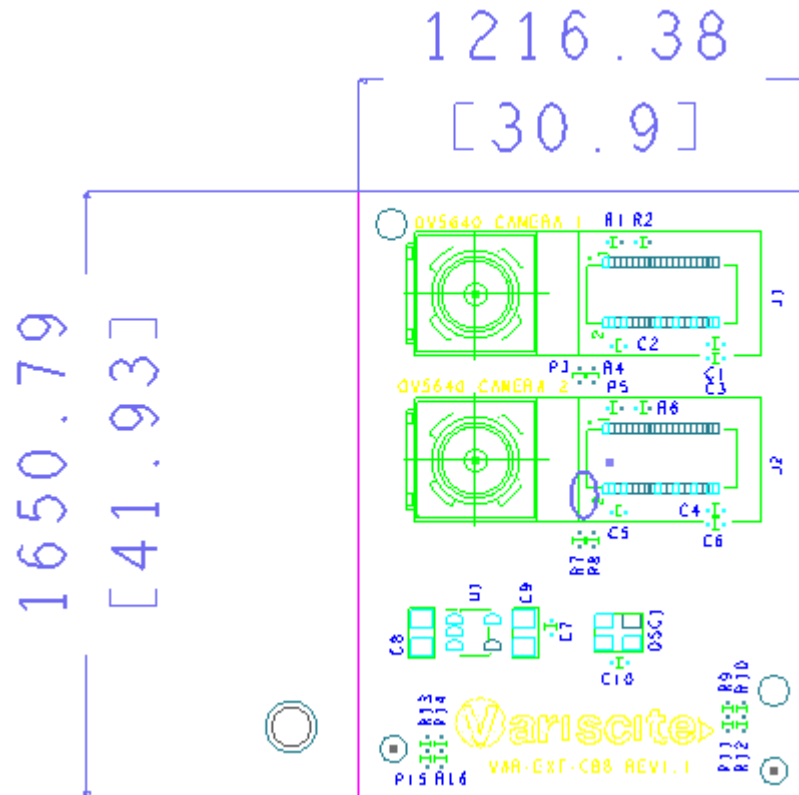
- 1 x 60 PIN Card Edge Connector compatible with various carrier board; see section Supporting Variscite Carrier Boards
- 2 x JAL-MIPI-OV5640 V5.0 camera module

1.3 Block Diagram



1.4 Board Layout

The VCAM-5640S physical dimensions are 42 x 31 mm.



Detailed CAD files are available for download at www.variscite.com.

1.5 VCAM-5640S connectors

The below table lists all available connectors on the VCAM-5640S, refer to chapter 2 for a more detailed description and Pin-out of each connector.

Table 1-1 VCAM-5640S connectors

Reference	Function	Type
J23	VAR-DT8MCustomBoard and SPEAR-MX8CustomBoard Mating connector	HSEC8-130-01-SM-DV-A
J1	JAL-MIPI-OV5640 V5.0 module mating connector for camera #1	Board to board, 90 pos., 0.4mm
J2	JAL-MIPI-OV5640 V5.0 module mating connector for camera #2	Board to board, 90 pos., 0.4mm

2 Detailed Description

2.1 Overview

This chapter details the VCAM-5640S features and external interfaces.

Please refer to the Compatible Variscite SOM section data sheets for more information.

Table 2-1 describes this chapter table header and acronyms used.

Table 2-1: Acronyms used on tables column header

Column		Meaning
Pin#	x	Pin number on a connector
Type		Pin type & direction
	I	INPUT
	O	OUTPUT
	DS	Differential Signal
	A	Analog
	P	Power
Signal		VCAM-5640S schematic signal name
Description		Short Pin functionality description

2.2 VCAM-5640S Interfaces

2.2.1 Camera Board PCB connector

The mated Supporting Variscite Carrier Boards exports the Compatible Variscite SOM dual 4-lane MIPI CSI serial camera interfaces to a 60POS 0.8mm PCB connector.

Mating Edge connector is SAMTEC P/N: HSEC8-130-01-SM-DV-A

Table 2-2: Mating Edge connector pin out (J23)

Pin #	Camera Board Signal	Type	Description
1	VCC_3V3	P	Camera Power supply 3.3V
2	DGND	P	Digital Ground
3	VCC_3V3	P	Camera Power supply 3.3V
4	CSI_P2_I2C_SDA	IO	I2C Data for Camera 2
5	VCC_1V8	P	Camera Power supply 1.8V
6	CSI_P2_I2C_SCL	IO	I2C Clk for Camera 2
7	VCC_1V8	P	Camera Power supply 1.8V
8	DGND	P	Digital Ground
9	DGND	P	Digital Ground
10	CSI_P2_PWDN	O	Power down control; Active Low;
11	CSI_P1_D0_P	DSI	CSI Port1 Lane0; Positive
12	CSI_P2_RST	O	Reset control; Active Low;
13	CSI_P1_D0_N	DSI	CSI Port1 Lane0; Negative
14			
15	DGND	P	Digital Ground
16			
17	CSI_P1_CK_P	DSI	CSI Port1 Clock; Positive
18	DGND	P	Digital Ground
19	CSI_P1_CK_N	DSI	CSI Port1 Clock; Negative
20	CSI_P2_MCLK	I	Optional reference clock source. <i>Note: Available on SPEAR-MX8CustomBoard only!</i>
21	DGND	P	Digital Ground
22	DGND	P	Digital Ground
23	CSI_P1_D1_P	DSI	CSI Port1 Lane1; Positive
24			

VAR-EXT-CB8 CAMERA ADAPTER BOARD

Pin #	Camera Board Signal	Type	Description
25	CSI_P1_D1_N	DSI	CSI Port1 Lane1; Negative
26			
27	DGND	P	Digital Ground
28	DGND	P	Digital Ground
29			
30			
31			
32			
33	DGND	P	Digital Ground
34	DGND	P	Digital Ground
35			
36	CSI_P2_D1_N	DSI	CSI Port2 Lane1; Negative
37			
38	CSI_P2_D1_P	DSI	CSI Port2 Lane1; Positive
39	DGND	P	Digital Ground
40	DGND	P	Digital Ground
41	CSI_P1_MCLK	I	Optional reference clock source. <i>Note: Available on SPEAR-MX8CustomBoard only!</i>
42	CSI_P2_CK_N	DSI	CSI Port2 Clock; Negative
43	DGND	P	Digital Ground
44	CSI_P2_CK_P	DSI	CSI Port2 Clock; Positive
45			
46	DGND	P	Digital Ground
47			
48	CSI_P2_D0_N	DSI	CSI Port2 Lane0; Negative
49	CSI_P1_RST	O	Reset control; Active Low;
50	CSI_P2_D0_P	DSI	CSI Port2 Lane0; Positive
51	CSI_P1_PWDN	O	Power down control; Active Low;
52	DGND	P	Digital Ground
53	DGND	P	Digital Ground
54	VCC_1V8	P	Camera Power supply 1.8V
55	CSI_P1_I2C_SCL	IO	I2C #2 Clock
56	VCC_1V8	P	Camera Power supply 1.8V

VAR-EXT-CB8 CAMERA ADAPTER BOARD

Pin #	Camera Board Signal	Type	Description
57	CSI_P1_I2C_SDA	IO	I2C #2 Data
58	VCC_3V3	P	Camera Power supply 3.3V
59	DGND	P	Digital Ground
60	VCC_3V3	P	Camera Power supply 3.3V

2.2.2 OV5640 V5.0 5 Mega Pixel camera module connector

The VCAM-5640S features two 5 Mega Pixel camera modules based on OV5640 sensor. The mating connector is Hirose DF30FC-40DS-0.4V(82).

Table 2-3: Camera Module mating connector pin out (J1) (J2)

Pin #	Carrier board Signal	Type	Description
1	DGND	P	Digital Ground
2	DGND	P	Digital Ground
3			
4	VCC_2V8	P	Camera 2.8V
5	I2C_SDA_CAM	IO	I2C data <i>Note: Signal level is 1.8V</i>
6			
7	I2C_SCL_CAM	I	I2C clock <i>Note: Signal level is 1.8V</i>
8	VCC_2V8	P	Camera 2.8V
9	RSTn	I	Camera Reset control; Active low <i>Note: Signal level is 1.8V</i>
10			
11			
12			
13			
14			
15			
16	CSI_D1_P	I	Camera MIPI-CSI Lane 1; Positive
17	PWRDOWN	I	Camera power down control; Active high <i>Note: Signal level is 1.8V</i>
18	CSI_D1_N	I	Camera MIPI-CSI Lane 1; Positive
19			
20	DGND	P	Digital Ground
21			
22	CSI_CK_P	I	Camera MIPI-CSI Clock; Positive
23			
24	CSI_CK_N	I	Camera MIPI-CSI Clock; Negative
25			
26	DGND	P	Digital Ground
27			

VAR-EXT-CB8 CAMERA ADAPTER BOARD

Pin #	Carrier board Signal	Type	Description
28	CSI_DO_P	I	Camera MIPI-CSI Lane 0; Positive
29			
30	CSI_DO_N	I	Camera MIPI-CSI Lane 0; Negative
31			
32	DGND	P	Digital Ground
33			
34	MCLK	I	Refence clock <i>Note: Signal level is 1.8V</i>
35			
36			
37			
38	VCC_1V8	P	Camera 1.8V
39			
40	DGND	P	Digital Ground

3 Environmental specifications

Table 3-1: Environmental Specification

	Min	Max
Commercial operating temperature range	0°C	+70°C
MTBF	>10kHRS	
Relative humidity, Operational	10%	90%
Relative humidity, Storage	5%	95%

4 Legal notice

Variscite LTD (“Variscite”) products and services are sold subject to Variscite’s terms and conditions of sale, delivery and payment supplied at the time of order acknowledgement.

Variscite warrants performance of its products to the specifications in effect at the date of shipment. Variscite reserves the right to make changes to its products and specifications or to discontinue any product or service without notice. Customers should therefore obtain the latest version of relevant information from Variscite to verify that the information is current.

Testing and other quality control techniques are utilized to the extent Variscite deems necessary to support its warranty.

Specific testing of all parameters of each device is not necessarily performed unless required by law or regulation.

In order to minimize risks associated with customer applications, the customer must use adequate design and operating safeguards to minimize inherent or procedural hazards. Variscite is not liable for applications assistance or customer product design. The customer is solely responsible for its selection and use of Variscite products. Variscite is not liable for such selection or use nor for use of any circuitry other than circuitry entirely embodied in a Variscite product.

Variscite products are not intended for use in life support systems, appliances, nuclear systems or systems where malfunction can reasonably be expected to result in personal injury, death or severe property or environmental damage. Any use of products by the customer for such purposes is at the customer’s own risk.

Variscite does not grant any license (express or implied) under any patent right, copyright, mask work right or other intellectual property right of Variscite covering or relating to any combination, machine, or process in which its products or services might be or are used. Any provision or publication of any third party’s products or services does not constitute Variscite’s approval, license, warranty or endorsement thereof. Any third-party trademarks contained in this document belong to the respective third-party owner.

Reproduction of information from Variscite datasheets is permissible only if reproduction is without alteration and is accompanied by all associated copyright, proprietary and other notices (including this notice) and conditions. Variscite is not liable for any un-authorized alteration of such information or for any reliance placed thereon.

Any representations made, warranties given, and/or liabilities accepted by any person which differ from those contained in this datasheet or in Variscite’s standard terms and conditions of sale, delivery and payment are made, given and/or accepted at that person’s own risk. Variscite is not liable for any such representations, warranties or liabilities or for any reliance placed thereon by any person.

5 Warranty terms

Variscite guarantees hardware products against defects in workmanship and material for a period of one (1) year from the date of shipment. Your sole remedy and Variscite's sole liability shall be for Variscite, at its sole discretion, to either repair or replace the defective hardware product at no charge or to refund the purchase price. Shipment costs in both directions are the responsibility of the customer. This warranty is void if the hardware product has been altered or damaged by accident, misuse or abuse.

Disclaimer of Warranty

THIS WARRANTY IS MADE IN LIEU OF ANY OTHER WARRANTY, WHETHER EXPRESSED, OR IMPLIED, OF MERCHANTABILITY, FITNESS FOR A SPECIFIC PURPOSE, NON-INFRINGEMENT OR THEIR EQUIVALENTS UNDER THE LAWS OF ANY JURISDICTION, EXCEPT THE WARRANTY EXPRESSLY STATED HEREIN. THE REMEDIES SET FORTH HEREIN SHALL BE THE SOLE AND EXCLUSIVE REMEDIES OF ANY PURCHASER WITH RESPECT TO ANY DEFECTIVE PRODUCT.

Limitation on Liability

UNDER NO CIRCUMSTANCES SHALL VARISCITE BE LIABLE FOR ANY LOSS, DAMAGE OR EXPENSE SUFFERED OR INCURRED WITH RESPECT TO ANY DEFECTIVE PRODUCT. IN NO EVENT SHALL VARISCITE BE LIABLE FOR ANY INCIDENTAL OR CONSEQUENTIAL DAMAGES THAT YOU MAY SUFFER DIRECTLY OR INDIRECTLY FROM USE OF ANY PRODUCT.

6 Contact information

Headquarters

Variscite LTD
4, Hamelacha st.
Lod.
P.O.B 1121
Airport City, 70100
ISRAEL
Phone +972 (9) 9562910 • Fax +972 (9) 9589477

Tel: +972 (9) 9562910

Fax: +972 (9) 9589477

Sales: sales@variscite.com

Technical support: support@variscite.com

Website: www.variscite.com

